


LCD pulse meter(LR5N series)

Ordering information

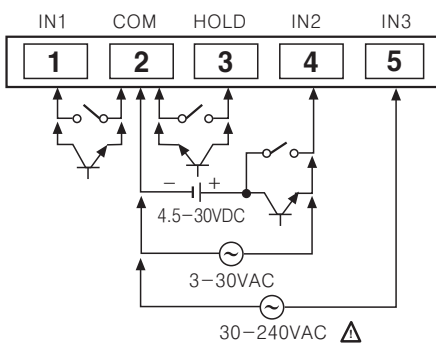
L R 5 N - B

B	Internal lithium battery
N	DIN W48×H24mm
5	10000(Digit)
R	Pulse meter
L	LCD Display

Specifications

Series	LR5N-B		
Digit	5		
Appearances & Dimensions	 [W48×H24×L54mm]		
Input type	No-voltage input	Voltage input 1	Voltage input 2
Input signal level	• Impedance at short-circuit:Max. 10kΩ (ON), residual voltage:Max. 0.5V • Impedance at open-circuit:Min. 500kΩ (OFF)	DC High voltage : 4.5-30VDC Low voltage : 0-2VDC	Voltage : 30-240VAC
		AC Voltage : 3-30VAC	
Battery life cycle	Over 3 years(at 20°C)		
Display method	LCD Zero Blanking type(Height : 8.7mm)		
Digit	5 digit		
Display range	RPM	1 ~ 10000RPM	
	0.1RPM	0.1 ~ 1000.0RPM	
	RPS	1 ~ 1000RPS	
	Hz	1 ~ 1000Hz	
	0.1Hz	0.1 ~ 100.0Hz	
Display accuracy	F.S. ±0.1% ±1digit		
Insulation resistance	Min. 100MΩ (at 500VDC mega)		
Dielectric strength	2000VAC 50/60Hz for 1 minute		
Vibration	Mechanical	0.75mm amplitude at frequency of 10 ~ 55Hz in each of X, Y, Z directions for 1 hour	
	Malfunction	0.3mm amplitude at frequency of 10 ~ 55Hz in each of X, Y, Z directions for 10 minutes	
Shock	Mechanical	300m/s ² (Approx. 30G) in X, Y, Z directions for 3 times	
	Malfunction	100m/s ² (Approx. 10G) in X, Y, Z directions for 3 times	
Ambient Temperature	-10~ 55°C (at non-freezing status)		
Storage Temperature	-25~ 65°C (at non-freezing status)		
Ambient humidity	35 ~ 85%RH		

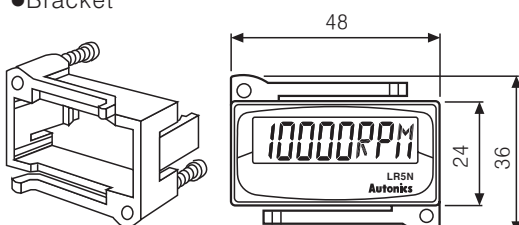
Connections



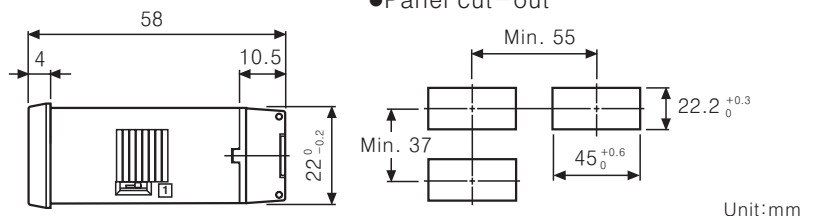
- ※Please use reliable contacts enough to flow 5μA of current when using input signal or reset signal as a contact.
- ※IN1 ⇨ No-voltage input
- IN2 ⇨ Voltage input
 - DC voltage input
 - AC voltage input : Display AC frequency.
- IN3 ⇨ AC voltage input : Display AC frequency.
- ※Choose one among IN1, IN2 and IN3 to use.

Dimensions

●Bracket



●Panel cut-out



Unit:mm