

Selection Guide


5 point input temperature indicator(T4WM series)

Ordering information

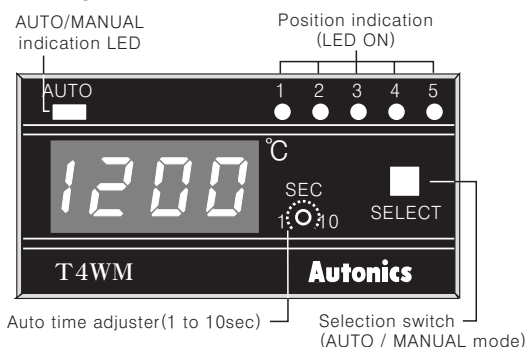
T	4	W	M	-	N	3	N	P	4	C
Item	Digit	Size	Input	Control mode	Power supply	Output mode	Sensor input type	Temperature range	Unit	
									C	°C
								0		-99.9~199.9
								4		0~399
								5		0~500
								C		0~1200
								P		Pt100Ω
								J		J(IC)
								K		K(CA)
								N		No output
								3		110/220VAC 50/60Hz
								N		No control function
								M		5 Point Indicator
								W		DIN W96×H48mm
								4		4 Digit
								T		Temperature

*Please check the range of temperature when selecting a model.

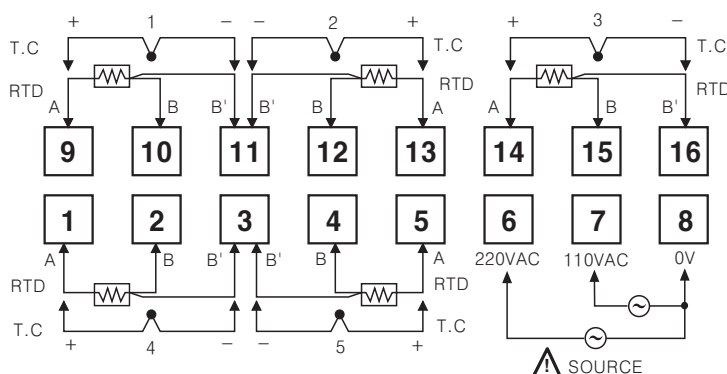
Specifications

Model	T4WM
Appearances & Dimensions	 [W96×H48×L99.6mm]
Power supply	110/220VAC 50/60Hz
Allowable voltage range	90 ~ 110% of rated voltage
Power consumption	3VA
Display method	7Segment LED Display
Character size	W9.8×H14.2mm
Display accuracy	F · S ±0.5% rdg ±1digit
Input sensor	• T.C(Thermocouples) : K(CA), J(IC) • RTD : Pt100Ω
Input line resistance	• T.C(Thermocouples) : Max. 100Ω • RTD : Max. 5Ω per a wire
Available sensor quantity	• T.C(Thermocouples) : Max. 5pcs • RTD : Max. 5pcs

Front panel identification



Connections



Temperature range for each sensor

Model	T4WM		
	T.C(Thermocouples)		RTD
Sensor input type	J(IC)	K(CA)	Pt100Ω
(°C)	1600	1200	
	1200		
	1000		
	800		
	600		
Standard scale range	500	1200	399
	400		199.9
	200		-99.9
	100		
	0		
	-100		

*RTD(Resistance Temperature Detector) : Pt 100Ω (3-wire type)

*T.C(Thermocouples) : K, J