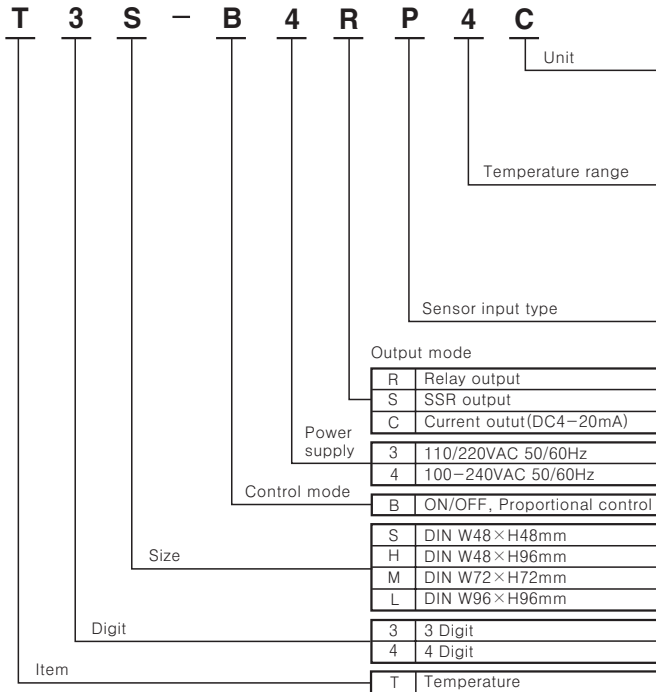


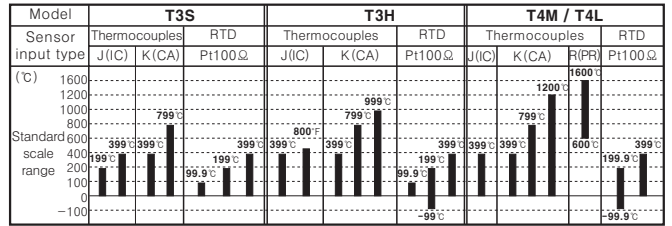
Selection Guide

Standard temperature controller(T3S/T3H/T4M/T4L series)

Ordering information







Temperature range for each sensor



※ Please check the range of temperature when selecting a model.

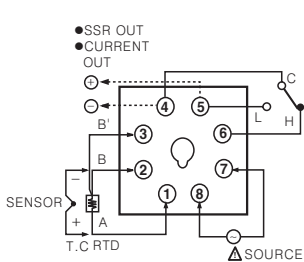
Specifications

| Model | T3S | T3H | T4M | T4L |
|--------------------------|---|--|--|---|
| Appearances & Dimensions |  [W48×H48×L88mm] |  [W48×H96×L134mm] |  [W72×H72×L112mm] |  [W96×H96×L100mm] |
| Power supply | 100~240VAC 50/60 Hz | 110/220VAC 50/60 Hz | | |
| Allowable voltage range | 90~110% of rated voltage | | | |
| Power consumption | 5VA | 3VA | | |
| Display method | 7Segment LED Display | | | |
| Character size | W4×H8mm | W6×H10mm | W7.2×H9.8mm | W9.5×H14.2mm |
| Display accuracy | F · S ±1% rdg ±1digit | F · S ±0.5% rdg ±1digit | | |
| Setting type | Digital switch setting | | | |
| Setting accuracy | F · S ±1% | F · S ±0.5% | | |
| Sensor input | T.C(Thermocouples) : K(CA), J(IC), R(PR) / RTD : Pt100Ω (3-wire type) <There is no R(PR) in T3S, T3H series> | | | |
| Input line resistance | T.C(Thermocouples) : Max. 100Ω / RTD : Max. 5Ω per a wire | | | |
| Control | ON/OFF: Hysteresis : F · S 0.5% ±0.2% Fixed Proportional: Proportional band : F · S ±3% fixed, Period : 20sec. fixed | Hysteresis : F · S 0.2~3% Proportional band : F · S 1~10% variable, Period : 20sec. fixed | | |
| RESET adjuster range | F · S ±3% variable | | | |
| Control output | ●Relay output : 250VAC 2A 1c ●SSR output : 12VDC ±3V 20mA Max. ●Current output : DC4~20mA Load 600Ω Max. | ●Relay output : 250VAC 3A 1c ●SSR output : 24VDC ±3V 20mA Max. ●Current output : DC4~20mA Load 600Ω Max. | | |
| Self-diagnosis | Includes burn out function | | | |

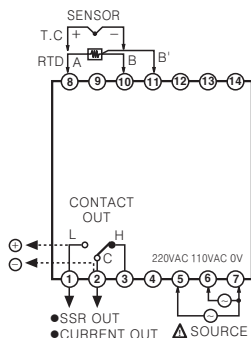
Connections

※RTD(Resistance temperature detector) : Pt 100Ω (3-wire type), T.C(Thermocouple) : K, J, R

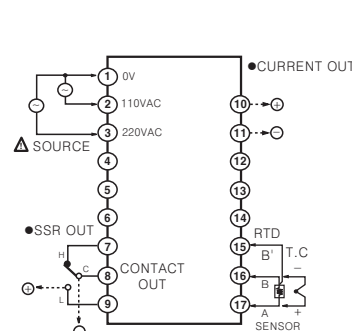
T3S



T4M



T3H



T4L

